

# FOLDABLE MOBILE PHONE STAND



VEERO



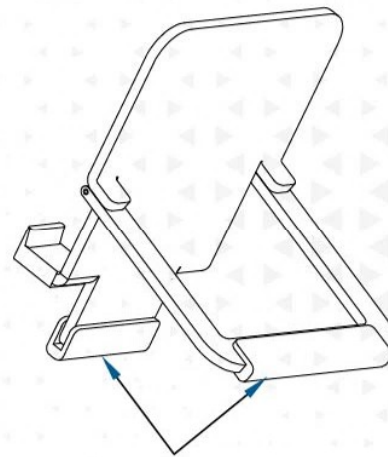
FOLDABLE MOBILE PHONE  
STAND

*"Improves ergonomic working & viewing angle "*

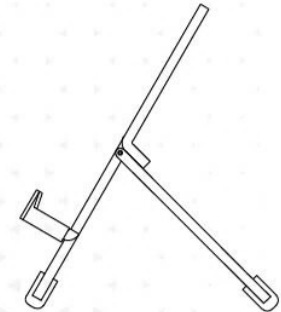
# TECHNICAL SPECIFICATIONS

- ▶ Made with Aluminium Alloy sheet 3.0mm
- ▶ Sturdy & Ergonomic Design
- ▶ Lightweight and Portable
- ▶ Finish: PU Paint Suzuki silver

## ANTI-SLIP SILICON RUBBER GASKET



Anti slip silicon rubber gasket for better functionality & scratchless function.



Before Folding



After Folding

VEERO FOLDABLE MOBILE PHONE STAND

# PRODUCT FEATURES

1. Slim and foldable design
2. Easy to carry
3. Silicon rubber gasket grip at base
4. Rubber pads for scratch resistant performance
5. Ergonomic viewing angle
6. Mobile phone can be placed landscape and portrait position
7. Anti-tilt design and provision for charger

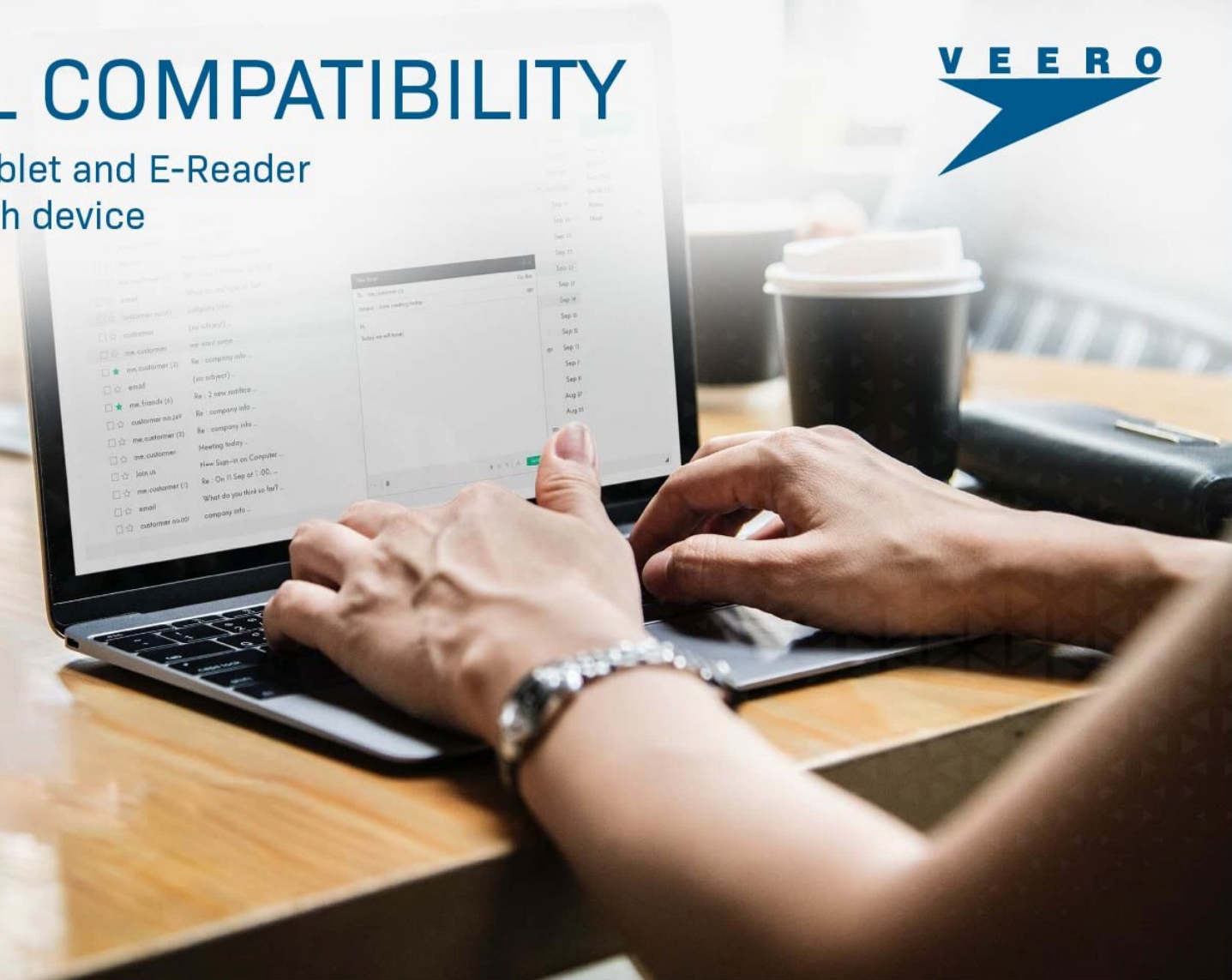


VEERO FOLDABLE MOBILE PHONE STAND



# UNIVERSAL COMPATIBILITY

Holds Smartphone's, Tablet and E-Reader  
measuring up to 7.9 inch device



"Improves ergonomic working & viewing angle"